

IBR-24 Bronze Safety Valve Screwed, Enclosed Discharge (IBR Approved)

Product Description

HSN 84814000

Product : 'SANT' Bronze Safety Valve
 Type of Pattern : Right Angle
 Body Material cum Standard : Bronze IBR 282(a)(iv) Gr.B
 Description : Spring Loaded Enclosed Discharge
 Type of Seat : Integral seat
 Type of Disc : Renewable disc
 Trim : Cu-Alloy
 End Details : Inlet end male BSP Taper threads outlet female BSP threads to BS 21.



Testing & Certification

Body Test Pressure : 300 Psig.Hyd.
 Note : Please advise set pressure while placing order
 Working Pressure : Max.BOP 150 Psig.(10.54Kg/cm²)
 Maximum Working Temperature : 435°F (225°C)

Test Certificate in Form III-C as per IBR is furnished with every supply.

Application

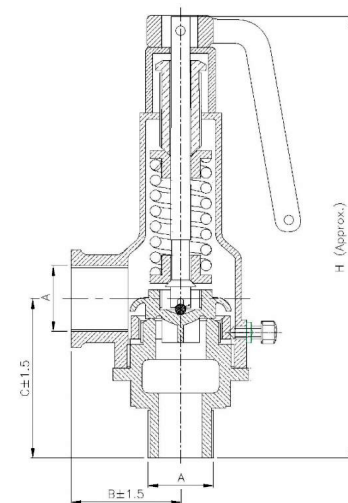
Gas	Steam
-----	-------

Materials of Construction

Components	Materials	Specifications
Body, Spring Chamber, Valve Disc, Blow-down Ring, Spring Discs, Adjusting Screw, Check Nut & Cap	Bronze	IBR 282(a)(iv) Gr.B
Spindle & Screws	Forged Brass	IS:6912 FLB
Spring	Spring Steel	—
Easing Lever	Cast Iron	IBR-86-93 Gr-A
Pins	Brass	—

Dimensions (in mm)

Nominal Size	Size (Inches)	A (Inches)	B	C	H
15	1/2	1/2"	40	52	123
20	3/4	3/4"	45	62	143
25	1	1"	55	80	150
40	1.1/2	1.1/2"	66	92	178
50	2	2"	80	120	245
		BSP			



Notes

- Product images are for illustration purposes only. Actual product may vary.
- Actual dimensions may change over time, due to continual design improvements. Please confirm before placing order.