

## IBR-16 Bronze Parallel Slide Blow Off Valve Flanged (IBR Approved)

### Product Description

HSN 84818030

Product : 'SANT' Bronze Parallel Slide Blow off Valve  
 Body Material cum Standard : Bronze IBR 282(a)(iv) Gr.B  
 Description : Rack & Pinion Operated with Key  
 Type of Seat : Renewable seat  
 Type of Disc : Renewable disc  
 Trim : SS AISI410 / Monel  
 Gland Packing : Graphited Asbestos  
 End Details : Flanges as per BS 10 Table H F.F. undrilled

### Testing & Certification

Body Test Pressure : 500 Psig.Hyd.  
 Seat Test Pressure : 500 Psig.Hyd.  
 Working Pressure : Max.BOP 250 Psig.(17.58Kg/cm<sup>2</sup>)  
 Maximum Working Temperature : 435°F (225°C)

Test Certificate in Form III-C as per IBR is furnished with every supply.

### Application

Water	Steam
-------	-------

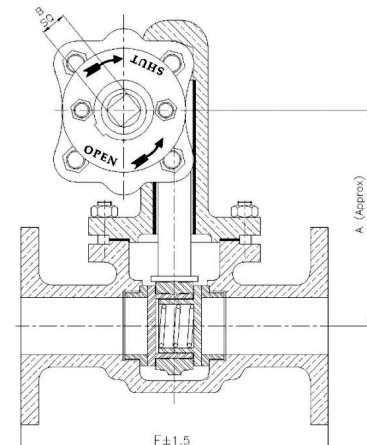


### Materials of Construction

Components	Materials	Specifications
Body, Bonnet, Stuffing Box, Gland, Rack & Pinion	Bronze	IBR 282(a)(iv) Gr.B
Body Seat Ring & Valve Disc	Cast Monel	Ni-Cu Alloy
Spring	Spring Steel	IBR 307 to 314
Gasket	Compressed Asbestos Fibre	IS:2712 Gr.C
Gland Packing	Graphited Asbestos	—
Operating Key	Mild Steel	—

### Dimensions (in mm)

Nominal Size	Size (Inches)	F	A	B
25	1	174.5	95	18
32	1.1/4	178	114	19
40	1.1/2	190.5	118	20.5
50	2	206.5	137	25.4
65	2.1/2	228.5	152	28.5
80	3	254	187	32



### Notes

- Product images are for illustration purposes only. Actual product may vary.
- Actual dimensions may change over time, due to continual design improvements. Please confirm before placing order.