

V8 Grooved Y-Type Strainer PN16, UL Listed

Product Description

Product Certification

UL Listed (EX 29402)

Connection Ends

Groove to ISO 6182

Working Pressure

PN16

Temperature Range

0°C - 100°C

Coating

Fusion Bonded Epoxy Coating in accordance with ANSI/AWWA C550 or painting upon request

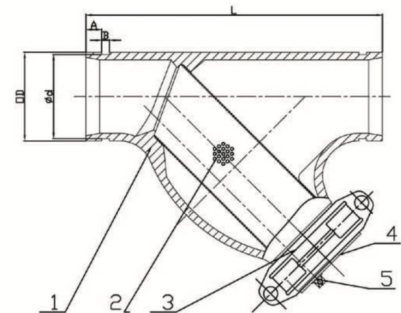


Materials of Construction

Part No.	Part	Standard Specification
1	Valve Body	EN-GJS-450-10
2	Screen	SS304
3	Rigid Coupling	EN-GJS-450-10
4	Cap	EN-GJS-450-10
5	Plug	Malleable Iron Galvanized

Dimensions (in mm)

Inch	mm	L	OD	d	A	B
2"	50	247.5	60.3	57.15	15.88	7.92
2.5"	65	273	76.1	72.26	15.88	7.92
3"	80	298.5	88.9	84.94	15.88	7.92
4"	100	362	114.3	110.08	15.88	9.52
5"	125	419	139.7	135.48	15.88	9.52
6"	150	470	165.1	160.9	15.88	9.52
8"	200	609.5	219.1	214.4	19.05	11.13
10"	250	686	273	268.28	19.05	12.7
12"	300	762	323.9	318.29	19.05	12.7



Notes

1. Product images are for illustration purposes only. Actual product may vary.
2. Actual dimensions may change over time, due to continual design improvements. Please confirm before placing order.