

H44X2 Flanged Resilient Swing Check Valve PN16, UL/FM Approved

Product Description

Product Certification

UL Listed / FM Approved / LPCB Approved (EX 29404)

Connection Ends

Flange to BS EN 1092-2:1997

Working Pressure

PN16

Temperature Range

0°C - 100°C

Coating

Fusion Bonded Epoxy Coating in accordance with ANSI/AWWA C550



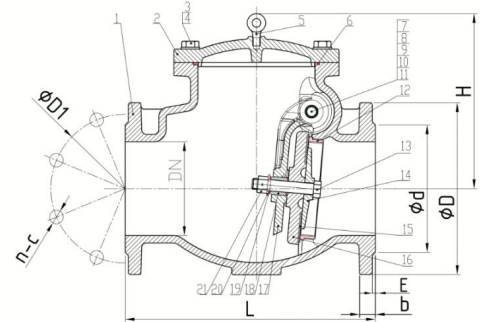
Materials of Construction

Part No.	Part	Standard Specification
1	Valve Body	EN-GJS-450-10
2	Bonnet	EN-GJS-450-10
3	Flat Washer	Carbon Steel Zinc Plated
4	Bolts	Carbon Steel Zinc Plated
5	Eye Bolt	Carbon Steel Zinc Plated
6	O-Ring	EPDM
7	Plug	SS304
8	O-Ring	EPDM
9	Hinge Pin	SS304
10	Washer	Brass ASTM B16 C36000/Hpb63-3
11	Hinge Bushing	Brass ASTM B16 C36000/Hpb63-3
12	Seat Ring	Bronze ASTM B62 C83600/ZQSn5-5-5(Pressed Fit)
13	Disc Seat Bolts	SS304
14	Retainer Washer	Bronze ASTM B62 C83600/ZQSn5-5-5
15	Disc Seat Ring	EPDM
16	Disc	EN-GJS-450-10
17	Clapper Arm	EN-GJS-450-10
18	Disc Bushing	Brass ASTM B16 C36000/Hpb63-3
19	O-Ring	EPDM
20	Washer	Brass ASTM B16 C36000/Hpb63-3
21	Nut	Bronze ASTM B62 C83600/ZQSn5-5-5

Dimensions (in mm)

Inch	mm	L	D	D1	d	b	E	H	n-Ød
2"	50	203	165	125	99	19	3	133	4-Ø19
2.5"	65	216	185	145	118	19	3	150	4-Ø19
3"	80	241	200	160	132	19	3	150	8-Ø19
4"	100	292	220	180	156	19	3	218	8-Ø19
6"	150	356	285	240	211	19	3	290	8-Ø23
8"	200	495	340	295	266	20	3	330	12-Ø23

Inch	mm	L	D	D1	d	b	E	H	n-Ød
10"	250	622	405	355	319	22	3	350	12-Ø28
12"	300	698	460	410	370	24.5	4	376	12-Ø28



Notes

1. Product images are for illustration purposes only. Actual product may vary.
2. Actual dimensions may change over time, due to continual design improvements. Please confirm before placing order.