

Z85X Grooved Resilient NRS Gate Valve PN16, UL/FM Approved

Product Description

Product Certification

UL Listed / FM Approved (EX 15973)

Connection Ends

Groove to ISO 6182

Working Pressure

PN16

Temperature Range

0°C - 100°C

Coating

Fusion Bonded Epoxy Coating in accordance with ANSI/AWWA C550 or painting upon request

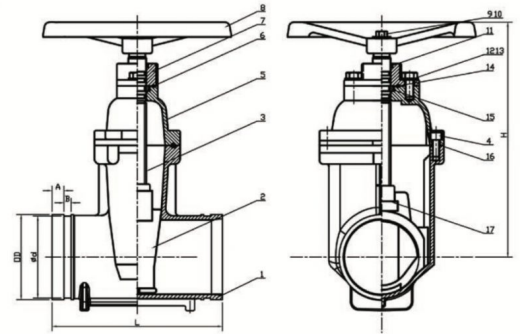


Materials of Construction

Part No.	Part	Standard Specification
1	Valve Body	EN-GJS-450-10
2	Resilient Wedge Disc	EN-GJS-450-10+EPDM
3	Stem	Stainless Steel
4	Nut	Carbon Steel Zinc Plated
5	Bonnet	EN-GJS-450-10
6	O-Ring	NBR
7	Gland	EN-GJS-450-10
8	Handwheel	EN-GJS-450-10
9	Bolt	Carbon Steel Zinc Plated
10	Flat Washer	Carbon Steel Zinc Plated
11	Ring Wiper	EPDM
12	Bolt	Carbon Steel Zinc Plated
13	Flat Washer	Carbon Steel Zinc Plated
14	O-Ring	NBR
15	Washer	Brass HPb59-1
16	Bonnet Gasket	EPDM
17	Wedge Nut	Brass HPb59-1

Dimensions (in mm)

Inch	mm	L	H	OD	d	A	B
2"	50	178	218	60.3	57.15	15.88	7.92
2.5"	65	190	230	76.1	72.26	15.88	7.92
3"	80	203	281	88.9	84.94	15.88	7.92
4"	100	229	316	114.3	110.08	15.88	9.52
5"	125	254	393	139.7	135.48	15.88	9.52
6"	150	267	420	165.1	160.9	15.88	9.52
8"	200	292	490	219.1	214.4	19.05	11.13
10"	250	330	626	273	268.28	19.05	12.7
12"	300	356	722	323.9	318.29	19.05	12.7



Notes

1. Product images are for illustration purposes only. Actual product may vary.
2. Actual dimensions may change over time, due to continual design improvements. Please confirm before placing order.