

IBR-3E Bronze Horizontal Lift Check Valve Bolted Cover, Flanged Ends (IBR Approved)

Product Description

HSN 84813000

Product : 'SANT' Bronze Horizontal Lift Check Valve
 Type of Pattern : Straight Type
 Body Material cum Standard : Bronze IBR 282(a)(iv) Gr.B
 Description : Bolted cover
 Type of Seat : Renewable Seat
 Type of Disc : Renewable Disc
 Trim : SS AISI-410
 End Details : Flanges as per BS 10 Table F F.F. undrilled



Testing & Certification

Body Test Pressure : 300 Psig. Hyd.
 Seat Test Pressure : 300 Psig. Hyd. & 150 Psig. Steam
 Working Pressure : Max. BOP 150 Psig. (10.54Kg/cm²)
 Maximum Working Temperature: 225°C (435°F)

Test Certificate in Form III-C as per IBR is furnished with every supply.

Application

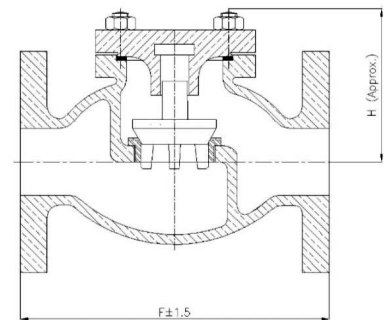
Water	Oil	Steam
-------	-----	-------

Materials of Construction

Components	Materials	Specifications
Body, Bonnet	Bronze	IBR 282(a)(iv) Gr.B
Body Seat Ring & Valve Disc	Stainless Steel	AISI-410
Gasket	CAF	IS:2712 Gr.C
Fasteners	Mild Steel	—

Dimensions (in mm)

Nominal Size	Nominal Size (Inches)	F	H (Approx.)
40	1.1/2	143±1.5	105
50	2	171±1.5	125
65	2.1/2	225±1.5	131
80	3	264±1.5	140
100	4	289±1.5	165



Notes

- Product images are for illustration purposes only. Actual product may vary.
- Actual dimensions may change over time, due to continual design improvements. Please confirm before placing order.