

## CI-16B Cast Iron Y Type Strainer Flanged

### Product Description

HSN 84818030

Product : 'SANT' Cast Iron Y Type Strainer  
Type of Pattern : Y Type  
Pressure Rating : PN16  
Body Material cum Standard : Cast Iron IS:210 Gr.FG200  
Description : Bolted Cover  
Screen : SS AISI-304 having 1.2mm perforation  
End Details : Flanges as per BS 10 Table F undrilled

### Testing & Certification

Body Test Pressure : 24 kg/cm<sup>2</sup> Hyd.  
Working Test Pressure : 16 kg/cm<sup>2</sup> Hyd.

Our Works' Test Certificate is furnished with every supply.

### Application

Water

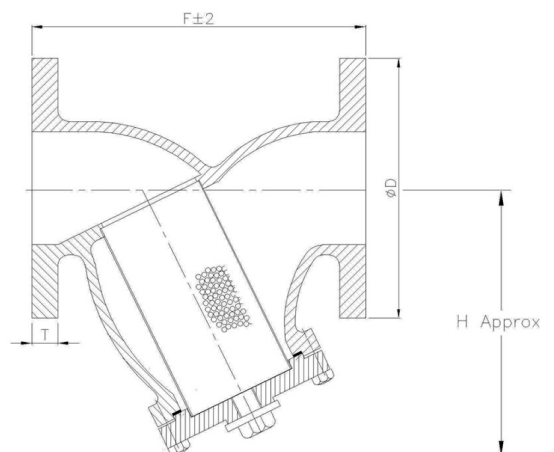


### Materials of Construction

Components	Materials	Specifications
Body, Cover	Cast Iron	IS:210 Gr.FG200
Screen	Stainless Steel	AISI-304
Gasket	Compressed Asbestos Fiber	—
Drain Plug	Stainless Steel	AISI-410
Studs And Nuts	M.S.	—

### Dimensions (in mm)

Nominal Size	Nominal Size (Inches)	F	D	T	H (Approx)
25	1	140±2	120.7	12.7	110
32	1 1/4	155±2	133.5	15.9	120
40	1 1/2	165±2	139.7	15.9	140
50	2	185±2	165.1	19.1	160
65	2 1/2	206±2	184.2	19.1	180
80	3	255±2	203.2	19.1	210
100	4	295±2	228.6	22.2	255
125	5	350±2	279.4	25.4	285
150	6	385±2	304.8	25.4	310
200	8	475±2	368.3	28.6	415
250	10	560±2	431.8	28.6	500
300	12	660±2	489	31.8	600



### Notes

- Product images are for illustration purposes only. Actual product may vary.
- Actual dimensions may change over time, due to continual design improvements. Please confirm before placing order.