

IS-20 Bronze Ball Valve Screwed

Product Description

HSN 84818030

Product : Sant Bronze Ball Valve
 Body Material cum standard : Gun Metal (IS:318 Gr.LTB2)
 Product Description : 2 pc design lever operated
 Type of Seat : Renewable PTFE Seats
 Port Opening : Standard Bore
 Trim : Stem SS AISI-410, Ball SS-304/CF8
 Gland Packing : PTFE
 End Details : Screwed female threads to IS-554 Parallel

Testing & Certification

Body Test Pressure : 500Psig. Hyd.
 Seat Test Pressure : 500Psig. Hyd.

Our Works' Test Certificate is furnished with every supply.

Application

Water	Oil
-------	-----

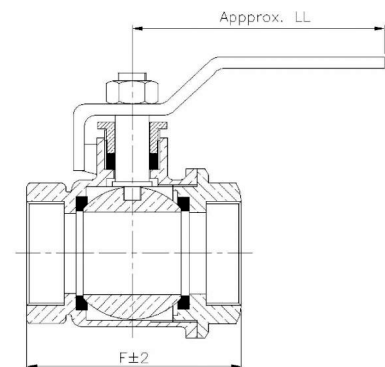


Materials of Construction

Components	Materials	Specifications
Body, Gland	Bronze	IS:318 Gr.LTB2
Ball	Stainless Steel	SS-304/CF8
Stem	Stainless Steel	SS-410
Body Seat & Gland Seals	Teflon	PTFE
Fasteners & Stopper	Mild Steel (Zinc Plated)	—
Lever with PVC Sleeve	Mild Steel	—

Dimensions (in mm)

Nominal Size	Nominal Size (Inches)	F	LL (Approx.)
8	1/4	51±2	102
10	3/8	51±2	102
15	1/2	65±2	102
20	3/4	65±2	112
25	1	77±2	127
32	1.1/4	88±2	150
40	1.1/2	108±2	170
50	2	120±2	170
65	2.1/2	151±2	255
80	3	172±2	255
100	4	215±2	330



Notes

1. Product images are for illustration purposes only. Actual product may vary.
2. Actual dimensions may change over time, due to continual design improvements. Please confirm before placing order.