

CR-24 Cast Iron Butterfly Valve Wafer Type

Product Description

HSN 84813030

Product : 'SANT' Cast Iron Butterfly Valve (Lever Operated)
 Type of Pattern : Short Pattern
 Pressure / Class / Rating : PN 10
 Body Material cum Standard : Cast Iron IS:210 Gr.FG200
 Description : Wafer Type
 Type of Seat : Nitrile / EPDM Lining
 Type of Disc : SS
 Trim : SS AISI-410
 End Details : Suitable insertion between Flanges as per BS 10 Table D/E ANSI B 16.1 CI-125



Testing & Certification

Body Test Pressure : 1.5MPa (218 Psig) Hyd
 Seat Test Pressure : 1.0MPa (145 Psig) Hyd

Our Works' Test Certificate is furnished with every supply.

Application

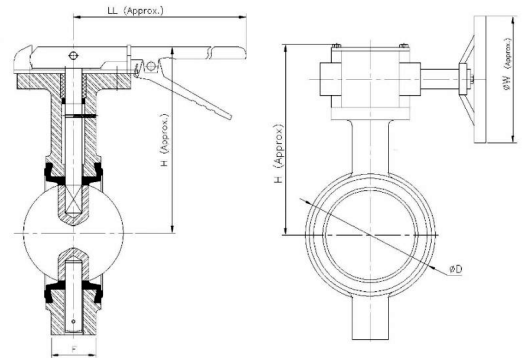
Water

Materials of Construction

Components	Materials	Specifications
Locking Screw, Pin, Indexing Plate	S.S.	AISI-410
Bush	PTFE	—
Body	C.I.	IS:210 Gr.FG200
Body Lining	Rubber	Nitrile / EPDM Lining
Disc	S.S.	—
Upper Stem, Lower Stem	S.S.	AISI-410
Bolts & Nuts	Carbon Steel	—
Lever	M.S. / D.I.	—

Dimensions (in mm)

Nominal Size	Nominal Size (Inches)	F	ØD	LL (Approx.)	H (Approx.)
40	1.1/2	33±2	82	175	121
50	2	43±2	95	175	133
65	2.1/2	46±2	106	175	141
80	3	46±2	124	175	145
100	4	52±2	152	260	178
125	5	56±2	173	260	200
150	6	56±2	210	260	210
200	8	60±2	260	350	276
250	10	68±2	315	350	325
300	12	78±3	370	350	360



Notes

1. Product images are for illustration purposes only. Actual product may vary.

2. Actual dimensions may change over time, due to continual design improvements. Please confirm before placing order.