

## CSPVF Cast Steel Piston Valve Flanged, Class-150

### Product Description

HSN 84818090

Product : Sant Cast Steel Piston Valve  
 Pressure/Class /Rating : Class-150  
 Body Material Cum Standard : C.C.S. (ASTM A-216 Gr. WCB)  
 Product Description : Bolted Bonnet O.S. Yoke Type Rising Stem  
 Type of Seat : Renewable  
 Type of Wedge : Piston Type  
 Trim : AISI-410  
 End Details : Flanges as per ASME B 16.5 Class-150



### Testing & Certification

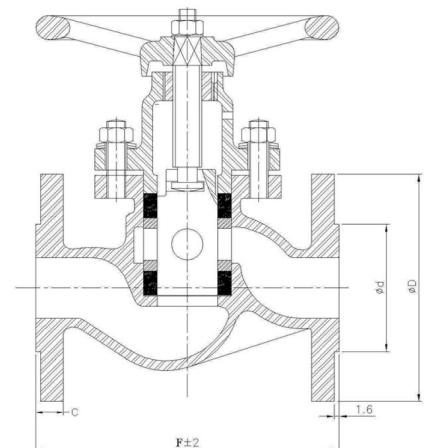
Body Test Pressure : 30 Barg (435Psig.) Hyd.  
 Seat Test Pressure : 22 Barg (350Psig.) Hyd.

### Materials of Construction

Components	Materials	Specifications
Wheel	CI	-
Bush	Cu	-
Bonnet	ASTM A216 GR WCB	-
Stem	AISI-1045	-
Nut	AISI-1045	-
Studs	AISI-1045	-
Piston	AISI-420	-
Seal	GRAPHITE	-
Piston Guide	ASTM A216 GR WCB	-
Body	ASTM A216 GR WCB	-

### Dimensions (in mm)

Size	F	D	d	C
25	127	110	50.8	14.2
40	165	125	73	17.5
50	203	150	92	19.1
80	241	190	127	23.9
100	292	230	157	23.9



Notes

1. Product images are for illustration purposes only. Actual product may vary.
2. Actual dimensions may change over time, due to continual design improvements. Please confirm before placing order.