

CIBFL C.I. Butterfly Valve with Limit Switch Wafer Type, PN 10/PN 16

Product Description

HSN 84818030

Product : Sant C.I. Butterfly Valve with Limit Switch
 Type of Pattern : Water Type
 Pressure/Class/Rating : PN 10/PN 16
 Body Material Cum Standard : CI to IS:210 Gr FG200
 Product Description : Wafer Type
 Type of Seat : Nitrile/EPDM Lining
 Type of Disc : SS Seat CF8
 Stem : AISI-410
 End Details : Suitable insertion between flanges as per BS 10 Table F/D/E or ASME B 16.1 Class-125



Testing & Certification

Ratings:

PN10

Body Test Pressure : 1.5MPa (218 Psig) Hyd

Seat Test Pressure : 1.1MPa (160 Psig) Hyd

PN16

Body Test Pressure : 2.4MPa (348 Psig) Hyd

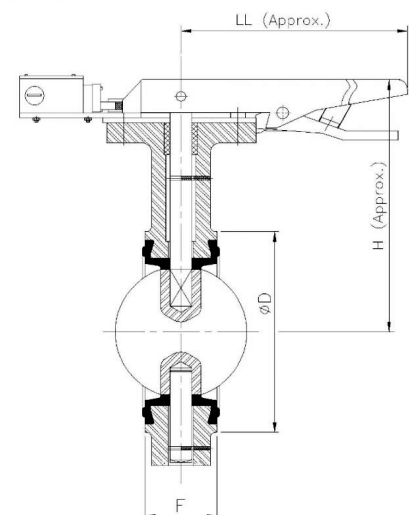
Seat Test Pressure : 1.8MPa (261 Psig) Hyd

Materials of Construction

Components	Materials	Specifications
Bush	PTFE	
Body	Cast Iron	IS:210:Gr.FG200
Upper Stem	SS	AISI-410
Cover Plate	Carbon Steel	
Body Lining	EPDM/Nitrile Rubber	
Disc	SS	CF8
Lower Stem	SS	AISI-410
Locking Screw	Steel	
Fastners	Steel	
Lever		IS:14329
Limit Switch		

Dimensions (in mm)

Size	F±2	D	H	LL
40	33	82	132	175
50	43	95	132	175
65	46	106	145	175
80	46	124	170	260
100	52	150	189	260
125	56	174	207	260
150	56	210	232	260
200	60	260	335	260



Notes

1. Product images are for illustration purposes only. Actual product may vary.
2. Actual dimensions may change over time, due to continual design improvements. Please confirm before placing order.