

SP Single Plate Wafer Type Check Valve Wafer Type

Product Description

HSN 84813000

Product : Sant Single Plate Wafer Check Valve
 Body Material cum standard : Ductile Iron
 Pressure/Class /Rating : PN-16
 Product Description : Single Plate Wafer Check Valve
 Type of Seat : EPDM
 Type of Disc : Carbon Steel + Ni Plate
 End Details : Wafer Type

Testing & Certification

Body Test Pressure : 24kg/cm²g (Hyd.)
 Seat Test Pressure : 16kg/cm²g (Hyd.)

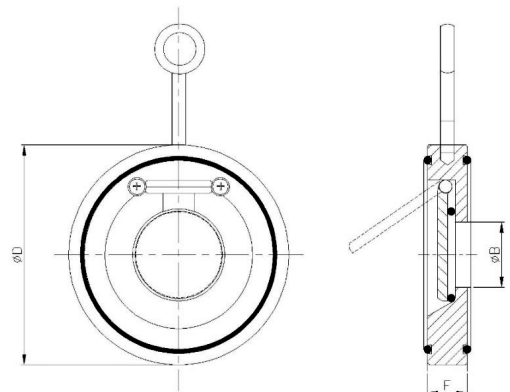


Materials of Construction

Components	Materials	Specifications
Body	Ductile Iron (Epoxy Coated)	-
Disc	Carbon Steel (Epoxy Coated)	-
Retaining Washer	SS	-
Retaining Screw	SS	-
Seat Ring	Rubber (EPDM)	-
Lifting Eye Bolt	Carbon Steel (Galvanized)	-
Flange 'O' Ring	Rubber (EPDM)	-

Dimensions (in mm)

Size	ØD	F±2	B
50	96	14	32
65	108	14	40
80	129	14	54
100	160	18	70
125	192	18	92
150	216	20	114
200	273	22	154



Notes

1. Product images are for illustration purposes only. Actual product may vary.

2. Actual dimensions may change over time, due to continual design improvements. Please confirm before placing order.