

## FBV4 Brass Ball Valve with Strainer

### Product Description

HSN 84818090

Product : Sant Forged Brass Ball Valve with Y Strainer  
 Pressure Rating : PN-25  
 Body Material cum standard : Forged Brass  
 Product Description : Two piece design with Inbuild Strainer  
 End Details : Screwed female BSP Parallel Threads

### Testing & Certification

Body Test Pressure : 40kg/cm<sup>2</sup>g (Hyd.)  
 Working Pressure : 25kg/cm<sup>2</sup>g (Hyd.)

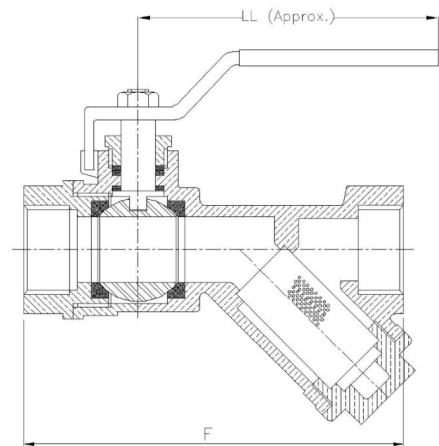


### Materials of Construction

Components	Materials	Specifications
Nut	S.S.	-
Gland	Brass	-
Gland Seal	PTFE	-
Body of Ball Valve	Forged Brass	-
Seat	PTFE	-
Ball	Brass	-
Stem	Brass	-
Strainer Body	Forged Brass	-
Lever	M.S (Powder Coated)	-

### Dimensions (in mm)

Size	F	H (Approx.)	LL (Approx.)
15	78	52	90
20	94	58	105
25	95	58	105
32	112	65	132
40	130	80	145



### Notes

1. Product images are for illustration purposes only. Actual product may vary.
2. Actual dimensions may change over time, due to continual design improvements. Please confirm before placing order.