

**FSV-2B Forged Steel Globe Valve Reduced Bore, Class 800, Socket Welded Ends (IBR Approved)**

**Product Description**

**HSN 84818030**

Product : 'SANT' Forged Steel Globe Valve  
 Product Standard : BS 5352 / API 602  
 Pressure / Class / Rating : Class 800  
 Body Material cum Standard : FCS (A105)  
 Description : Bolted Bonnet, Outside Screw & Yoke Type, Rising Stem  
 Type of Seat : Renewable Seat  
 Type of Disc : Renewable Disc  
 Trim : SS AISI-410  
 Gland Packing : Expanded Pure Flexible Graphite  
 Fastener & Gasket : Alloy Steel (Gr.B7/2H) Spiral Wound SS 304 (CAF/Graphite filled)  
 End Details : Socket Welded Ends as per ASME B-16.11



**Testing & Certification**

Body Test Pressure : 207 Bar g (3000 Psig) Hyd.  
 Seat Test Pressure : 152 Bar g (2200 Psig) Hyd. & 6.9 Bar g (100 Psig) Air  
 Maximum Working Temperature : 425°C

Test Certificate in Form III-C as per IBR is furnished with every supply

**Application**

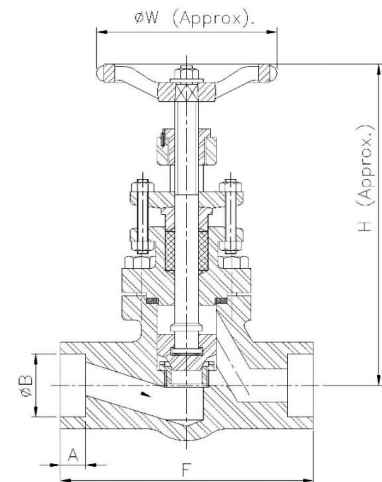
Water	Oil	Steam
-------	-----	-------

**Materials of Construction**

Components	Materials	Specifications
Body, Bonnet, Gland Flange	Drop Forged C. Steel	ASTM A105
Body Seat Ring, Disc, Gland, Stem, Gland Eye Bolts, Yoke Bush	Stainless Steel	AISI-410
Gland Packing	Expanded Pure Flexible Graphite	—
Gasket	Spiral Wound SS (AISI-304) Asbestos Filled / Graphite Filled	—
Handwheel	Malleable Iron / D.I.	IS:14329
Studs / Bolts	Alloy Steel	ASTM A193 Gr.B7
Nuts	High Tensile Steel	ASTM A194 Gr.2H
Gland Nuts, Screw, Wheel Nuts & Washer	Mild Steel	—

**Dimensions (in mm)**

Nominal Size	Nominal Size (Inches)	F	H(Approx)	W(Approx)	A (Min.)	B (Min.)	B (Max.)
10	3/8	73±2	143	86	10	17.6	18
15	1/2	73±2	143	86	10	21.8	22.2
20	3/4	80±2	146	86	13	27.1	27.5
25	1	100±2	171	116	13	33.8	34.2
40	1.1/2	145±2	199	150	13	48.6	49.1
50	2	160±2	236	150	16	61.1	61.6



Notes

1. Product images are for illustration purposes only. Actual product may vary.
2. Actual dimensions may change over time, due to continual design improvements. Please confirm before placing order.