

CS-11 Cast Steel Ball Valve Flanged (IBR Approved)

Product Description

HSN 84818030

Product : 'SANT' Cast Steel Ball Valve
 Product Standard : BS 5351 / API 6D
 Type of Pattern : Straight Type
 Pressure / Class / Rating : Class 150
 Body Material cum Standard : CCS (ASTM A216 Gr.WCB)
 Description : Three Piece Design, Lever Operated
 Type of Seat : Renewable seat
 Trim : Stem S.S. ASTM A276 Type 410
 Ball : SS (ASTM A351 Gr. CF8 / AISI-304) Seat Ring & Gland Packing PTFE
 End Details : Flanges as per ANSI B 16.5 Class 150 R.F. Undrilled



Testing & Certification

Body Test Pressure : 30 Bar g (435 Psig) Hyd.
 Seat Test Pressure : 22 Bar g (320 Psig) Hyd. & 6.9 Bar g (100 Psig) Air
 Maximum Working Temperature : 250°C

Test Certificate in Form III-C as per IBR is furnished with every supply.

Application

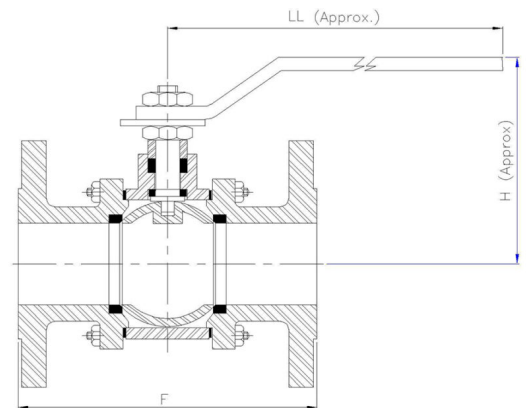
Water	Oil	Gas	Steam
-------	-----	-----	-------

Materials of Construction

Components	Materials	Specifications
Lever	Steel	with PVC Sleeve
Stem, Nut, Gland	13% Cr. S.S	AISI-410
Stopper	Steel	—
Packing Ring, Seat	PTFE / RPTFE	—
Studs & Nuts	Alloy Steel & H.T. Steel	ASTM A193 Gr.B7 & ASTM A194 Gr.2H
Ball	Stainless Steel	CF8 / AISI-304
Body, Body Connector	C.S.	ASTM A216 Gr.WCB
Gasket	CAF	BS:1832

Dimensions (in mm)

Nominal Size	Nominal Size (Inches)	F	H (Approx)	LL (Approx)
25	1	127±2	80	165
40	1.1/2	165±2	100	220
50	2	178±2	106	220
65	2.1/2	191±2	145	350
80	3	203±2	155	400
100	4	229±2	175	450



Notes

1. Product images are for illustration purposes only. Actual product may vary.

2. Actual dimensions may change over time, due to continual design improvements. Please confirm before placing order.