

## CS-9 Cast Steel Globe Valve Flanged, Class-150 (IBR Approved)

### Product Description

HSN 84818030

Product : 'SANT' Cast Steel Globe Valve  
 Product Standard : BS 1873  
 Pressure / Class / Rating : Class 150  
 Body Material cum Standard : CCS (ASTM A216 Gr.WCB)  
 Description : Bolted Cover, Outside Screw & Yoke Type, Rising Stem  
 Type of Seat : Renewable seat  
 Type of Disc : Renewable disc  
 Trim : Stem SS AISI-410  
 Yoke Bush : Aluminum Bronze  
 Gland Packing : Expanded Pure Flexible Graphite  
 End Details : Flanges as per ANSI B 16.5 Class 150 R.F. Undrilled



### Testing & Certification

Body Test Pressure : 30 Bar g (435 Psig) Hyd.  
 Seat Test Pressure : 22 Bar g (320 Psig) Hyd. & 6.9 Bar g (100 Psig) Air  
 Tested as per API 598 / ANSI B16.34 / BS : 6755 Part 1  
 Maximum Working Temperature: 400°C

Test Certificate in Form III-C as per IBR is furnished with every supply.

### Application

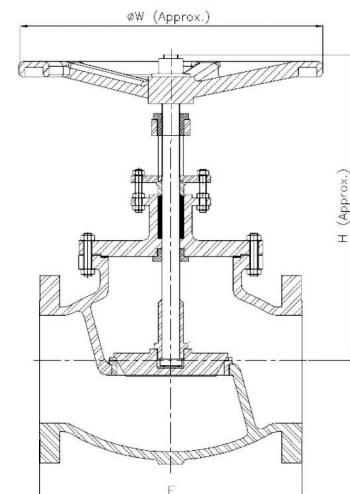
Water	Oil	Steam
-------	-----	-------

### Materials of Construction

Components	Materials	Specifications
Body, Bonnet, Gland Flange	Cast Carbon Steel	ASTM A216 Gr.WCB
Gasket	CAF	—
Gland Packing	Expanded Pure Flexible Graphite	—
Handwheel	S.G. Iron	—
Body Rings, Gland Follower, Stem, Locking Screws	Stainless Steel	AISI-410
Gland Bolting	Carbon Steel	—
Bolts	Alloy Steel	ASTM A193 Gr.B7
Nuts	HT Steel	ASTM A194 Gr.2H
Yoke Bush	Al Bronze	—

### Dimensions (in mm)

Nominal Size	Nominal Size (Inches)	F	H (Approx)	W
25	1	127	255	125
32	1.1/4	140	265	125
40	1.1/2	165	270	160
	2	203	290	160
65	2.1/2	211	355	200
80	3	241	380	200
100	4	292	420	250
150	6	406	515	315
200	8	495	610	400
250	10	622	620	450
300	12	698	720	500



Notes

1. Product images are for illustration purposes only. Actual product may vary.
2. Actual dimensions may change over time, due to continual design improvements. Please confirm before placing order.