

## CS-3 Cast Steel Y-Type Strainer Flanged (IBR Approved)

### Product Description

HSN 84818030

Product : 'SANT' Cast Steel Y-Type Strainer  
Type of Pattern : Y-Type  
Body Material cum Standard : CCS (ASTM A216 Gr.WCB)  
Description : Y-Type Bolted Cover  
Trim : SS AISI-304 Screen having 1.2 dia perforation  
End Details : Flanges as per BS 10 Table J FF Undrilled

### Testing & Certification

Body Test Pressure : 700 Psig Hyd.  
Working Pressure : Max. BOP 350 Psig.  
Maximum Working Temperature: 400°C

Test Certificate in Form III-C as per IBR is furnished with every supply.

### Application

Water	Oil	Steam
-------	-----	-------

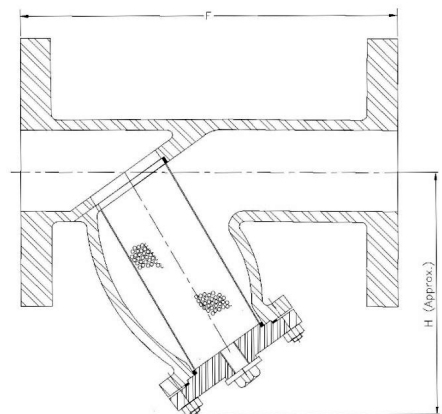


### Materials of Construction

Components	Materials	Specifications
Body, Bonnet	Cast Carbon Steel	ASTM A216 Gr.WCB
Drain Plug	Stainless Steel	AISI-410
Strainer	Stainless Steel	AISI-304
Gasket	Compressed Asbestos Fibre	IS:2712 Gr.C
Fasteners	Mild Steel	—

### Dimensions (in mm)

Nominal Size	Nominal Size (Inches)	F	H (approx.)
25	1	181±1	125
40	1 1/2	260±2	160
50	2	277±2	205
65	2 1/2	277±2	243
80	3	296±2	275
100	4	403±3	315
125	5	429±3	400
150	6	476±3	425
200	8	670±4	540



### Notes

- Product images are for illustration purposes only. Actual product may vary.
- Actual dimensions may change over time, due to continual design improvements. Please confirm before placing order.