

## CS-1 Cast Steel Globe Valve PN 40 (IBR Approved)

### Product Description

HSN 84818030

Product : 'SANT' Cast Steel Globe Valve  
 Product Standard : BS 5160  
 Pressure / Class / Rating : PN 40  
 Body Material cum Standard : CCS (ASTM A216 Gr.WCB)  
 Description : Bolted Bonnet, OS & Yoke Type, Rising Stem  
 Type of Seat : Renewable seat  
 Type of Disc : Renewable disc  
 Trim : SS AISI-410  
 Gland Packing : Expanded Pure Flexible Graphite  
 Ends : Flanges as per BS 4504 Part-1 / DIN 2545 RF undrilled



### Testing & Certification

Body Test Pressure : 76 Bar g (1100 Psig) Hyd.  
 Seat & Back Seat Test Pressure : 40 Bar g (580 Psig) Hyd.  
 Maximum Working Temperature: 400°C

Test Certificate in Form III-C as per IBR is furnished with every supply.

### Application

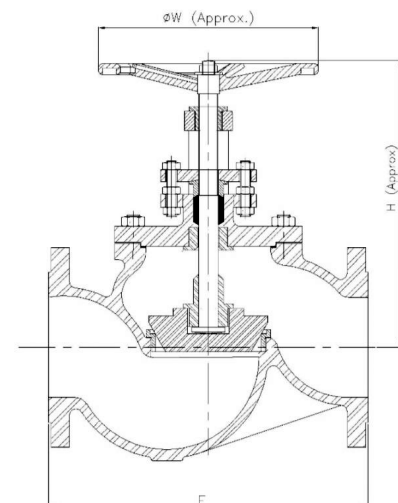
Water	Oil	Steam
-------	-----	-------

### Materials of Construction

Components	Materials	Specifications
Body, Bonnet, Gland Flange	Cast Carbon Steel	ASTM A216 Gr.WCB
Body Seat Ring, Valve Disc, Disc Stem Nut, Backseat Bush, Stem, Gland	Stainless Steel	AISI-410
Yoke Bush	Al - Bronze / S.S.	AISI-410
Gasket	Compressed Asbestos Fiber	—
Gland Packing	Expanded Pure Flexible Graphite	—
Handwheel	S.G. Iron	—
Fasteners	Mild Steel	—

### Dimensions (in mm)

Nominal Size	Nominal Size (Inches)	F	H (Approx)	W
15	1/2	130±2	200	125
20	3/4	150±2	205	125
25	1	160±2	240	160
32	1.1/4	180±2	245	160
40	1.1/2	200±2	285	200
50	2	230±2	290	200
65	2.1/2	290±2	350	250
80	3	310±2	365	250
100	4	350±2	415	315
125	5	400±3	440	315
150	6	480±3	565	400
200	8	600±3	640	400
250	10	730±4	710	450
300	12	850±5	755	600



### Notes

1. Product images are for illustration purposes only. Actual product may vary.

2. Actual dimensions may change over time, due to continual design improvements. Please confirm before placing order.