

CR-28C Cast Iron Butterfly Valve Wafer Type, PN 16

Product Description

HSN 84818030

Product : 'SANT' Cast Iron Butterfly Valve
 Type of Pattern : Short Pattern
 Pressure / Class / Rating : PN 16
 Body Material cum Standard : Cast Iron IS:210 Gr.FG200
 Description : Wafer Type
 Type of Seat : EPDM Lining
 Type of Disc : CF8M
 Stem : SS AISI-304
 End Details : Suitable insertion between Flanges as per BS 10 Table D/E ANSI B 16.1 Class 125

Note : Gear system will be provided for size above 150mm.

Testing & Certification

Body Test Pressure : 2.4MPa (348 Psig) Hyd
 Seat Test Pressure : 1.6MPa (232 Psig) Hyd

Our Works' Test Certificate is furnished with every supply.

Application

Water	Oil
-------	-----

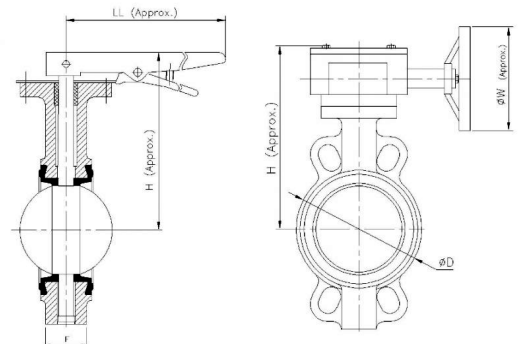


Materials of Construction

Components	Materials	Specifications
Pin, Lower Stem, Upper Stem	S.S	AISI-304
Cover Plate	Carbon Steel	—
Body	C.I.	IS:210 Gr.FG200
Body Lining	EPDM	—
Disc	S.S.	CF8M
Screw	Carbon Steel	—
Bolts & Nuts	Carbon Steel	Min UTS 390N/mm2
Lever	M.S. / D.I.	—

Dimensions (in mm)

Nominal Size	Nominal Size (Inches)	F	ØD	H (Approx.)	LL (Approx.)	ØW (Approx.)
40	1.1/2	33±2	85	152	200	—
50	2	43±2	95	171	200	—
65	2.1/2	46±2	110	182	200	—
80	3	46±2	124	192	200	—
100	4	52±2	153	213	260	—
125	5	56±2	174	234	260	—
150	6	56±2	209	248	260	—
200	8	60±2	260	335	—	240
250	10	68±2	315	375	—	240
300	12	78±3	370	404	—	285
350	14	92±3	418	475	—	355
400	16	102±3	470	505	—	355
450	18	114±3	525	580	—	450
500	20	127±3	575	625	—	625
600	24	154±4	693	700	—	625



Notes

1. Product images are for illustration purposes only. Actual product may vary.
2. Actual dimensions may change over time, due to continual design improvements. Please confirm before placing order.