

CR-21A Cast Iron Butterfly Valve Wafer Type (ISI Marked)

Product Description

HSN 84818030

Product : 'SANT' Cast Iron Butterfly Valve
 Type of Pattern : Short Pattern
 Product Standard : IS:13095
 Pressure / Class / Rating : PN 10/PN 16
 Body Material cum Standard : Cast Iron IS:210 Gr.FG200
 Description : Wafer Type
 Type of Seat : Nitrile / EPDM Lining
 Type of Disc : SG Iron
 Trim : SS AISI-410
 End Details : Suitable insertion between Flanges as per BS 10 Table D/E ANSI B 16.1 CI-125



Testing & Certification

Ratings:

PN10

Body Test Pressure : 1.5MPa (218 Psig) Hyd

Seat Test Pressure : 1.1MPa (160 Psig) Hyd

PN16

Body Test Pressure : 2.4MPa (348 Psig) Hyd

Seat Test Pressure : 1.8MPa (261 Psig) Hyd

Our Works' Test Certificate is furnished with every supply.

Application

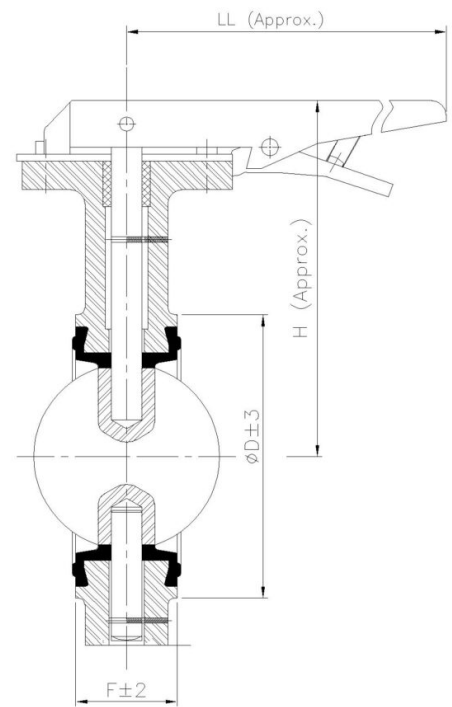
Water

Materials of Construction

Components	Materials	Specifications
Body	Cast Iron	IS:210 Gr.FG260
Disc	S.G. Iron	IS:1865 Gr.SG400/15
Shaft	Stainless Steel	AISI-410/ IS:6603: 12cr12
Seat	Rubber	Nitrile / EPDM Lining
Gear	M.S.	—
Lever / Handwheel	M.S.	—

Dimensions (in mm)

Nominal Size	Nominal Size (Inches)	F	ØD	LL (Approx.)	H (Approx.)
40	1.1/2	33±2	82	175	132
50	2	43±2	95	175	132
65	2.1/2	46±2	106	175	145
80	3	46±2	124	260	170
100	4	52±2	150	260	189
125	5	56±2	173	260	207
150	6	56±2	210	260	232



Notes

1. Product images are for illustration purposes only. Actual product may vary.
2. Actual dimensions may change over time, due to continual design improvements. Please confirm before placing order.