

CI-18 Cast Iron Ball Valve Class 125, Flanged (ISI Marked)

Product Description

HSN 84818030

Product : 'SANT' Cast Iron Ball Valve
 Product Standard : IS:9890 Class 125
 Body Material cum Standard : Cast Iron IS:210 Gr.FG220
 Description : Three piece design
 Type of Seat : Renewable Teflon
 Trim : Stem: SS AISI-410 Stainless Steel, Ball: SS AISI-304
 Gland Packing : Teflon Rings
 End Details : Flanges as per IS:3516-1966 undrilled/B.S.10 Table F



Testing & Certification

Body Test Pressure : 300 Psig. (21 bar g) Hyd.
 Seat Test Pressure : 220 Psig. (15.4 bar g) Hyd., 100 Psig. (6.9 bar g) Air

Our Works' Test Certificate is furnished with every supply.

Application

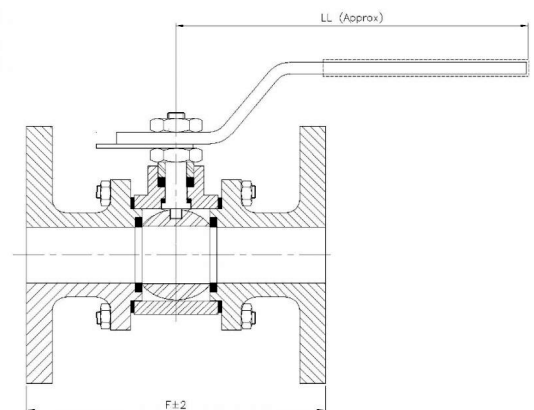
Water	Oil	Gas
-------	-----	-----

Materials of Construction

Components	Materials	Specifications
Body	Cast Iron	IS:210 Gr.FG220
Ball	Stainless Steel	AISI-304
Stem	Stainless Steel	AISI-410
Body Seats & Gland Seals	Teflon	—
Stopper, Gland Nut, Handle & Fasteners	Mild Steel	IS:2062:1992
Hand Sleeve	PVC	—
Gasket	Compressed Asbestos Fibre	—

Dimensions (in mm)

Nominal Size	Nominal Size (Inches)	F	LL (Approx.)
15	1/2	130±2	135
20	3/4	130±2	160
25	1	140±2	170
32	1 1/4	165±2	205
40	1 1/2	165±2	205
50	2	203±2	205
65	2 1/2	222±2	250
80	3	241±2	380
100	4	305±2	380



Notes

1. Product images are for illustration purposes only. Actual product may vary.

2. Actual dimensions may change over time, due to continual design improvements. Please confirm before placing order.