

CI-17 Cast Iron Ball Valve Class 125, Screwed (ISI Marked)

Product Description

HSN 84818030

Product : 'SANT' Cast Iron Ball Valve
 Product Standard : IS:9890 Class 125
 Type of Pattern : Straight
 Body Material cum Standard : Cast Iron IS:210 Gr.FG220
 Description : Two piece design
 Type of Seat : Renewable Teflon
 Trim : Stem: SS AISI-410, Ball: SS AISI-304
 Gland Packing : Teflon Rings
 End Details : Screwed female Parallel threads as per IS:554

NOTE : Cover will be screwed in type for 50mm valve size & below

Testing & Certification

Body Test Pressure : 300 Psig. Hyd.
 Seat Test Pressure : 220 Psig. Hyd., 100 Psig. Air

Our Works' Test Certificate is furnished with every supply.

Application

Water	Oil	Gas
-------	-----	-----

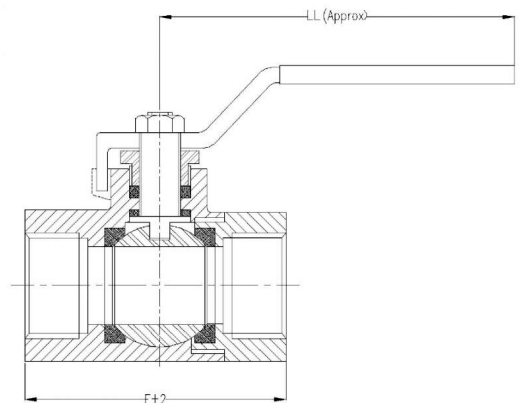


Materials of Construction

Components	Materials	Specifications
Body	Cast Iron	IS:210 Gr.FG220
Ball	Stainless Steel	AISI-304
Spindle	Stainless Steel	AISI-410
Body Seats & Gland Seals	Teflon	PTFE
Stopper, Gland Nut, Handle & Fasteners	Mild Steel	IS:2062:1992
Hand Sleeve	PVC	—

Dimensions (in mm)

Nominal Size	Nominal Size (Inches)	F	LL (Approx.)
15	1/2	72±2	135
20	3/4	87±2	135
25	1	100±2	160
32	1.1/4	121±2	160
40	1.1/2	121±2	230
50	2	135±2	230
65	2.1/2	151±2	260
80	3	172±2	260
100	4	217±2	380



Notes

1. Product images are for illustration purposes only. Actual product may vary.
2. Actual dimensions may change over time, due to continual design improvements. Please confirm before placing order.