

## CI-7A Cast Iron Y-Type Strainer Flanged (IBR Approved)

### Product Description

HSN 84818030

Product : 'SANT' Cast Iron Y-Type Strainer  
Type of Pattern : Y-Type  
Body Material cum Standard : Cast Iron IBR 86 to 93 Gr.A  
Description : Bolted Cover  
Trim : SS-304 Screen having 1.2 mm dia perforation  
End Details : Flanges as per BS 10 Table F, FF undrilled

### Testing & Certification

Test Pressure : 300 Psig.Hyd.  
Working Pressure : Max BOP 10.54Kg/cm<sup>2</sup>g (150 Psig.) at 220° C Steam

Test Certificate in Form III-C as per IBR is furnished with every supply.

### Application

|       |     |       |
|-------|-----|-------|
| Water | Oil | Steam |
|-------|-----|-------|

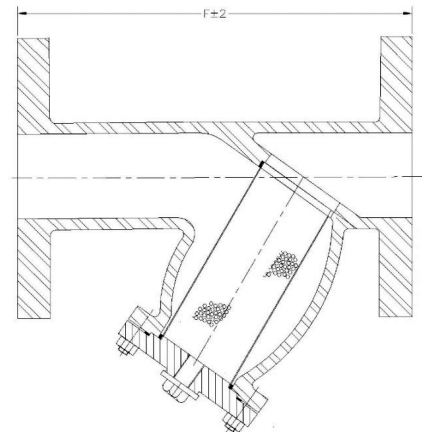


### Materials of Construction

| Components                  | Materials                 | Specifications                 |
|-----------------------------|---------------------------|--------------------------------|
| Body, Bonnet                | Cast Iron                 | IBR 86 to 93 Gr.A              |
| Drain Plug for 25mm & above | Bronze / SS               | IBR 282(a)(iv) Gr.B / AISI-410 |
| Strainer                    | S.S.                      | AISI-304                       |
| Gasket                      | Compressed Asbestos Fibre | IS:2712 Gr.C                   |
| Fasteners                   | Mild Steel                | —                              |

### Dimensions (in mm)

| Nominal Size | Nominal Size (Inches) | F     |
|--------------|-----------------------|-------|
| 25           | 1                     | 162±1 |
| 40           | 1.1/2                 | 206±2 |
| 50           | 2                     | 210±2 |
| 65           | 2.1/2                 | 248±2 |
| 80           | 3                     | 270±2 |
| 100          | 4                     | 381±2 |
| 125          | 5                     | 416±2 |
| 150          | 6                     | 451±2 |
| 200          | 8                     | 523±3 |



### Notes

- Product images are for illustration purposes only. Actual product may vary.
- Actual dimensions may change over time, due to continual design improvements. Please confirm before placing order.