

IBR-27 Bronze Loco Type Fusible Plug

Product Description

HSN 84814000

Product : Sant Bronze Loco Type Fusible Plug
Body Material cum standard : Bronze IBR Clause 282 (a) IV GrB
Product Description : Loco Type two piece design
End Details : Male BSP Taper Threads to BS-21

Testing & Certification

Test Pressure : Tested to 500Psig. Hyd. (35.15 kg/cm² (Hyd.))
Working Pressure : Max. BOP 250Psig.(17.58kg/cm²)
Maximum Working Temperature : 435°F (225°C)

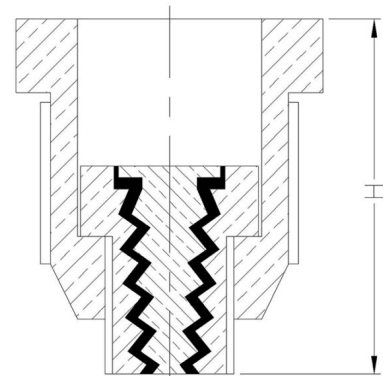


Materials of Construction

Components	Materials	Specifications
Body, Cone	Bronze	IBR 282(a)(iv) Gr.B
Fusible Alloy	Lead-Tin Alloy	—

Dimensions (in mm)

Nominal Size	Nominal Size (Inches)	H (Approx.)
25	1	52
32	1 1/4	52



Notes

1. Product images are for illustration purposes only. Actual product may vary.
2. Actual dimensions may change over time, due to continual design improvements. Please confirm before placing order.